



## UFD 5 Technical Datasheet

### Display for ALTOSONIC 5

- Configurable display for ALTOSONIC 5
- Easy installation
- Durable design



<b>1</b>	<b>Product features</b>	<b>3</b>
<hr/>		
1.1	Local display for the ALTOSONIC 5 .....	3
1.2	Options .....	3
<b>2</b>	<b>Technical data</b>	<b>4</b>
<hr/>		
2.1	Technical data table .....	4
2.2	Dimensions and weights .....	5
<b>3</b>	<b>Installation</b>	<b>6</b>
<hr/>		
3.1	Intended use .....	6
<b>4</b>	<b>Electrical connections</b>	<b>7</b>
<hr/>		
4.1	Cable entries .....	7
4.2	Electrical connections .....	7

## 1.1 Local display for the ALTOSONIC 5

The display is especially designed to be connected to the ALTOSONIC 5.

Information shown on the display can be configured via the Monitoring Configuration and Diagnose tool supplied with the meter. To define the local parameters for communication and backlight settings the front keys can be used.

The UFD 5 is supplied with a mounting bracket for wall mounting or 2" pipe mounting.

## 1.2 Options

By default, the housing is made from aluminium. For harsh environments, a stainless steel version is available. This stainless steel 316L housing is resistant to extremely salty atmospheres (offshore).

## 2.1 Technical data table

- *The following data is provided for general applications. If you require data that is more relevant to your specific application, please contact us or your local sales office.*
- *Additional information (certificates, special tools, software,...) and complete product documentation can be downloaded free of charge from the website (Downloadcenter).*

### Design

Construction	The display for the ALTOSONIC 5 measurement system consists of a housing with LCD display.
	High intensity transreflective numeric and alphanumeric LCD, UV-resistant.
	With bi-color backlight.
Features	Speedometer with black indicators around edge divided 20 blocks over 100%.
	Shows up to 5 parameters, configurable via Monitoring Configuration and Diagnostic tool.
	Three control keys to operate through glass front window.

### Ambient conditions

Ambient temperature	-40...+70°C / -40...+158°F
---------------------	----------------------------

### Materials

Body material	Standard: copper free aluminum
	Optional: Stainless steel AISI 316 L

### Electrical connections

Power supply	10...30 VDC (galvanically isolated)
Output	Modbus RS485 (galvanically isolated)
Cable entries	1x NPT 1/2" + 1x M20x1,5

### Approvals and certificates

<b>CE</b>	
	This device fulfills the statutory requirements of the EC directives. The manufacturer certifies successful testing of the product by applying the CE mark.
Electromagnetic compatibility	Directive: 2004/108/EC, NAMUR NE21/04
	Harmonized standard: EN 61326-1
<b>Hazardous areas</b>	
ATEX	EEx II 2G EEx d IIC T6 Gb
IECEX	Ex d IIC T6 Gb
FM (pending)	Class I, Div. 1 & 2, Groups B, C & D
	Class II, Div. 1, Groups E, F & G and Div. 2, Groups F & G
	Class III, Div. 1 & 2
<b>Other approvals and standards</b>	
Ingress protection	IP67 or NEMA Type 4X / 7 / 8 / 9

## 2.2 Dimensions and weights

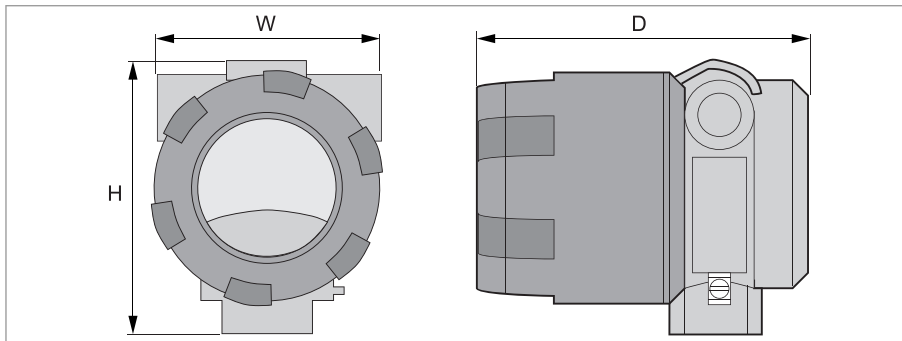


Figure 2-1: Dimensions

Nominal size	Metric				Imperial			
	H [mm]	W[mm]	D [mm]	Weight [kg]	H [inch]	W [inch]	D [inch]	Weight [lbs]
Aluminium housing	133	112	148	1.3	5.24	4.41	5.83	2.87
Stainless steel housing	133	112	148	3.6	5.24	4.41	5.83	7.94

### 3.1 Intended use

*Responsibility for the use of the measuring devices with regard to suitability, intended use and corrosion resistance of the used materials against the measured fluid lies solely with the operator.*

*The manufacturer is not liable for any damage resulting from improper use or use for other than the intended purpose.*

This is a display that can optionally be used with the ALTOSONIC 5 flowmeter to have the flow rate available locally.

The UFD 5 optional display forms an integral part of the flowmeter. The display can be configured with the Monitoring configuration and diagnostic software tool which is supplied with the meter and can be downloaded from the KROHNE website. The configuration is described in the ALTOSONIC 5 manual.

### 4.1 Cable entries

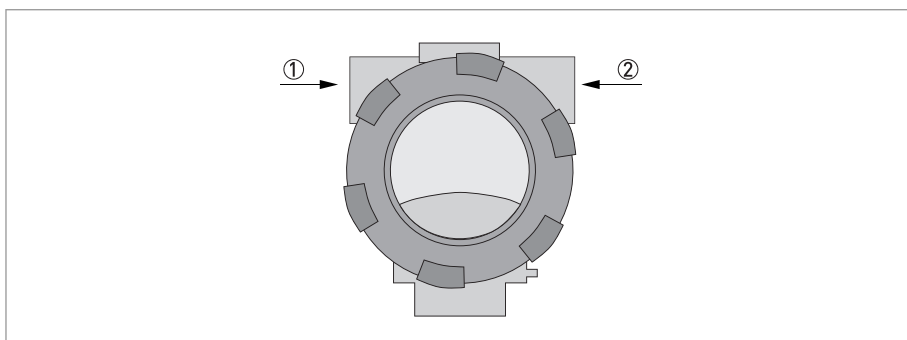


Figure 4-1: Location of cable entries

- ① 1/2" NPT connection
- ② M20 x 1.5 connection

### 4.2 Electrical connections

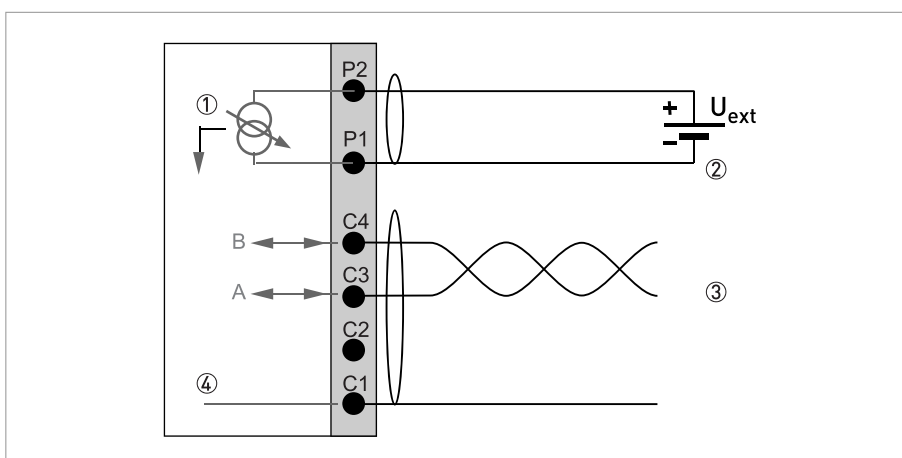
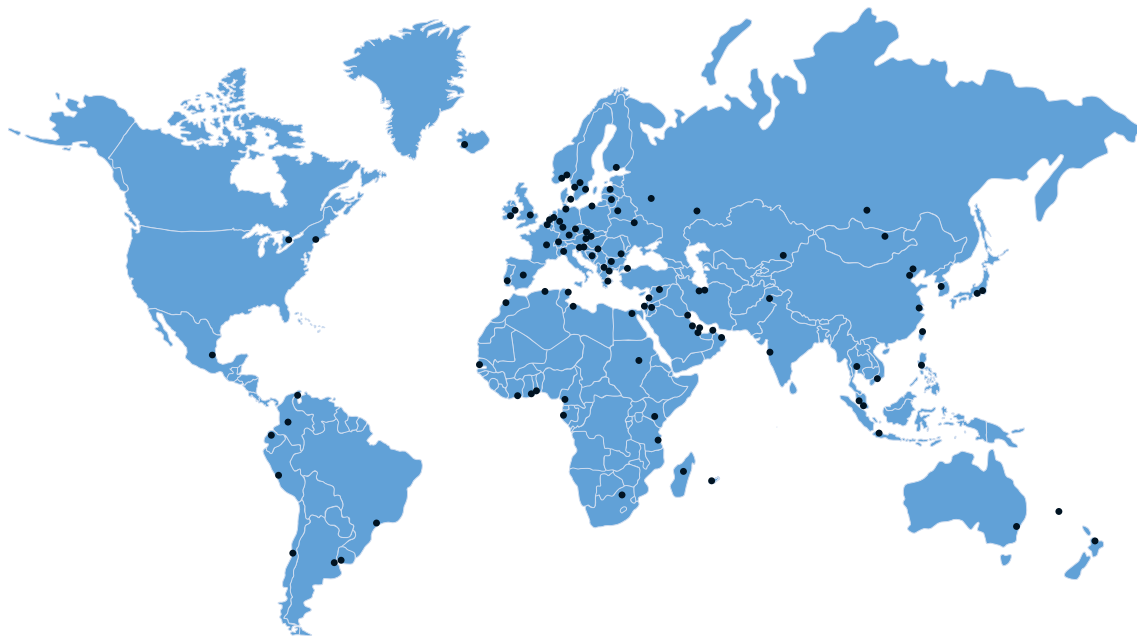


Figure 4-2: Electrical connections

- ① Internal power supply
- ② Two wire, loop powered input
- ③ Modbus RS485 communication
- ④ Common ground

②	Power supply (galvanically isolated)
	U <sub>ext</sub> = 10...30 VDC
③	Modbus communication RS485, two wire



## KROHNE product overview

- Electromagnetic flowmeters
- Variable area flowmeters
- Ultrasonic flowmeters
- Mass flowmeters
- Vortex flowmeters
- Flow controllers
- Level meters
- Temperature assemblies
- Pressure transmitters
- Analysis products
- Products and systems for the oil & gas industry
- Measuring systems for the marine industry

Head Office KROHNE Messtechnik GmbH  
Ludwig-Krohne-Str. 5  
47058 Duisburg (Germany)  
Tel.: +49 203 301 0  
Fax: +49 203 301 103 89  
info@krohne.com

The current list of all KROHNE contacts and addresses can be found at:  
[www.krohne.com](http://www.krohne.com)

**KROHNE**